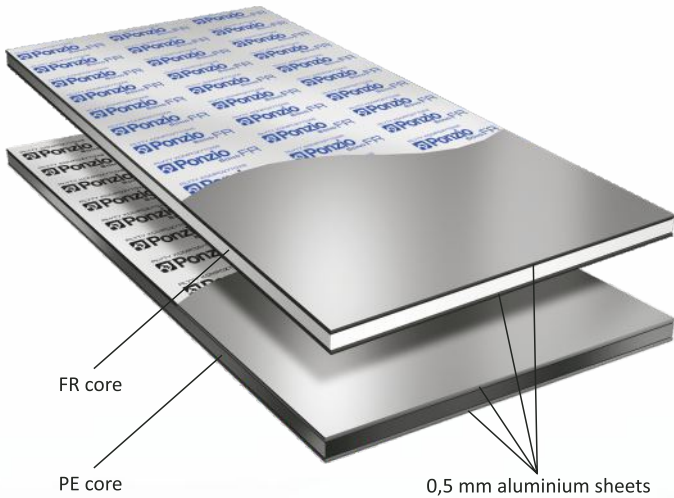


PONZIO BOND

SYSTEM DESCRIPTION

COMPOSITE PANELS

 **Ponzio**
BOND



System of light facade panels, consisted of composite plates, profiles and accessories for mounting.

PONZIOBOND PE panels are made of two external aluminium sheets (0,5 mm thick) joined by a core of polyethylene. Second version is PONZIOBOND FR - with panels that prevent from spreading fire - aluminium sheets joined by a core of polyethylene with mineral fire retardant compounds.

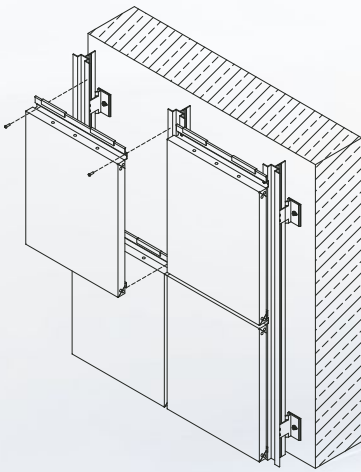
Thanks to the large sizes of the panels, there is a possibility of advanced optimization of used material.

Easy way of assembling allows to realize the constructions in short time.

The system connects functionality and aesthetic values. It allows to feel free in designing modern architecture.

MOUNTING SYSTEM

TRAY PANELS S-Z



CHARACTERISTICS OF SYSTEM

- light panels, stiff and stable at the same time
- high resistance to weather conditions
- elastic compound that allows to accomplish any shape of curtain wall surface
- various colours for surface finishing (including wood colour decors)

PERMISSIONS:

ITB AT-15-9374/2014 Technical Approval for "Composite panels PONZIOBOND FR and PONZIOBOND PE". ITB - 2332/W Compatibility Certificate.



CURTAIN WALLS SYSTEMS